

Molex 39390-0102 PDF

深圳创唯电子有限公司

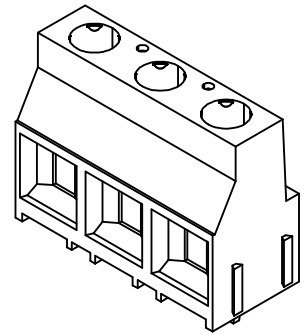
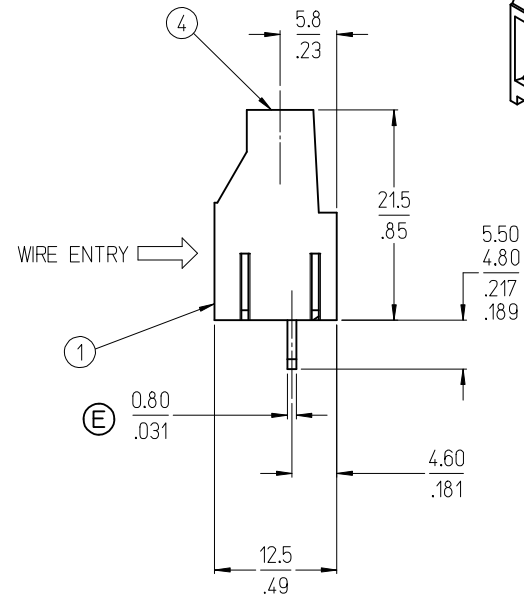
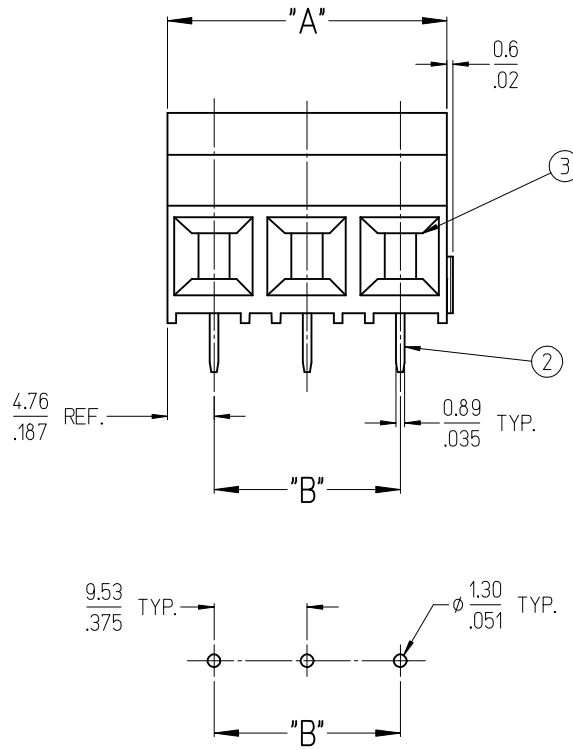
<http://www.molex-connect.com>

MATERIAL NO.	NUMBER OF CIRCUITS "XX"	DIM. "A"	DIM. "B"
393900102	02	19.1 / .75	9.53 / .375
393900103	03	28.6 / 1.13	19.05 / .750

(E)

SPECIFICATIONS:

- A. ELECTRICAL RATING: 600V, 30A
- B. CONTACT RESISTANCE: <math><15m\Omega</math>
- C. INSULATION RESISTANCE: >math>10^9\Omega</math> (500V DC)
- D. OPERATING TEMP: -40°C TO +110°C
- E. WIRE RANGE: 30 TO 10AWG
- F. WIRE STRIP LENGTH: .28-.31 (7.0 TO 8.0mm)
- G. TIGHTENING TORQUE: 7.0 TO 8.9 IN. LBS.



NOTES:

- 1. MATERIAL: SEE TABLE
- 2. FINISHES: SEE TABLE
- 3. 3 CIRCUIT SHOWN
- 4. ASSEMBLY IS ROHS COMPLIANT
- 5. DIMENSIONS SHOWN ARE FOR REFERENCE

ITEM	QTY.	DESCRIPTION	MATERIAL	FINISH
4	XX	SCREW	COPPER ALLOY	NICKEL
3	XX	CAGE CLAMP	COPPER ALLOY	NICKEL
2	XX	TERMINAL	COPPER ALLOY	TIN
1	1	INSULATOR	POLYAMIDE	BLACK

ADDED SPECS, REVD NOTES EC NO: ICG2016-0274 DR: MHRSTONE 2015/08/19 CHK: MZLE INSKI 2015/08/21 APPR: BWOODMAN 2015/09/14	QUALITY SYMBOLS ▽=0 ▽=0	GENERAL TOLERANCES (UNLESS SPECIFIED)		DIMENSION STYLE IN/MM		SCALE	DESIGN UNITS INCH	THIRD ANGLE PROJECTION																	
		<table border="1"> <thead> <tr> <th></th> <th>mm</th> <th>INCH</th> </tr> </thead> <tbody> <tr> <td>4 PLACES</td> <td>± ---</td> <td>± ---</td> </tr> <tr> <td>3 PLACES</td> <td>± ---</td> <td>± .005</td> </tr> <tr> <td>2 PLACES</td> <td>± 0.13</td> <td>± .01</td> </tr> <tr> <td>1 PLACE</td> <td>± 0.3</td> <td>± ---</td> </tr> </tbody> </table>			mm	INCH	4 PLACES	± ---	± ---	3 PLACES	± ---	± .005	2 PLACES	± 0.13	± .01	1 PLACE	± 0.3	± ---	DRAWN BY R. KEMP		DATE 2003/07/01	TITLE 9.53/.375 FIXED TERMINAL BLOCK ASSEMBLY			
			mm	INCH																					
		4 PLACES	± ---	± ---																					
3 PLACES	± ---	± .005																							
2 PLACES	± 0.13	± .01																							
1 PLACE	± 0.3	± ---																							
ANGULAR ± 2°		CHECKED BY R. STONE		DATE 2003/07/01																					
DRAFT WHERE APPLICABLE MUST REMAIN WITHIN DIMENSIONS		MATERIAL NO.		APPROVED BY P. WALTZ		DATE 2003/07/01	MOLEX INCORPORATED DOCUMENT NO.		SHEET NO. 1 OF 1																
		SIZE B		THIS DRAWING CONTAINS INFORMATION THAT IS PROPRIETARY TO MOLEX INCORPORATED AND SHOULD NOT BE USED WITHOUT WRITTEN PERMISSION																					