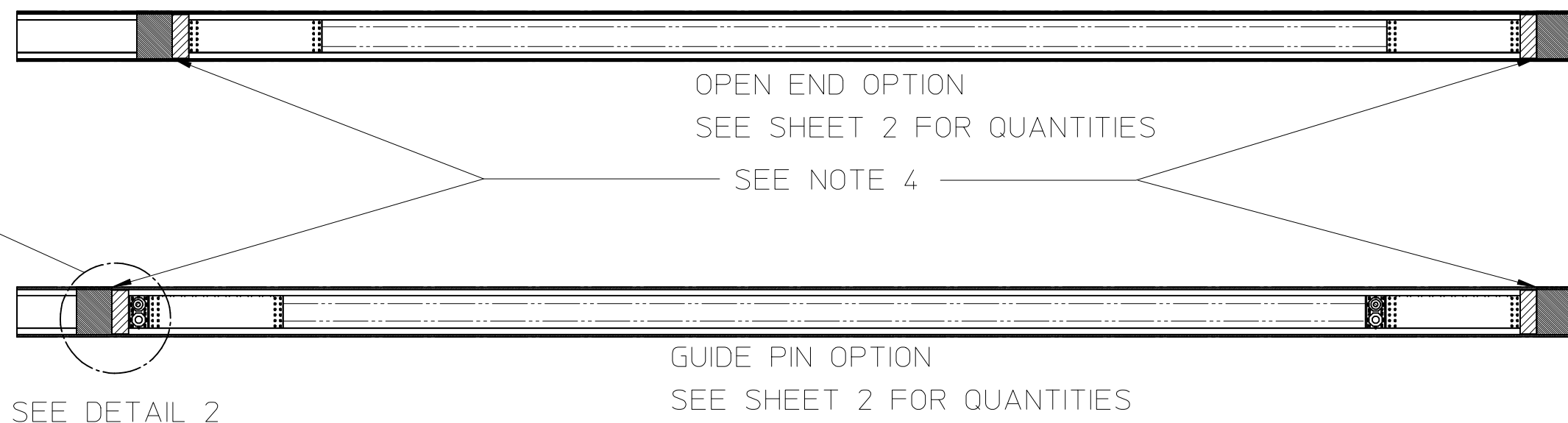
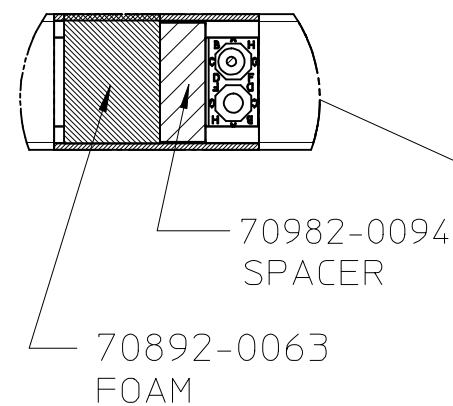
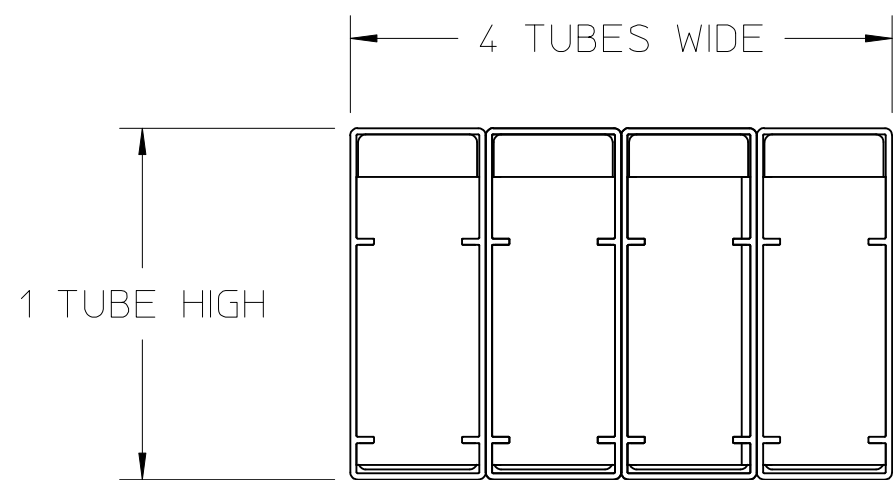


Molex 737690100 PDF

molex[®]

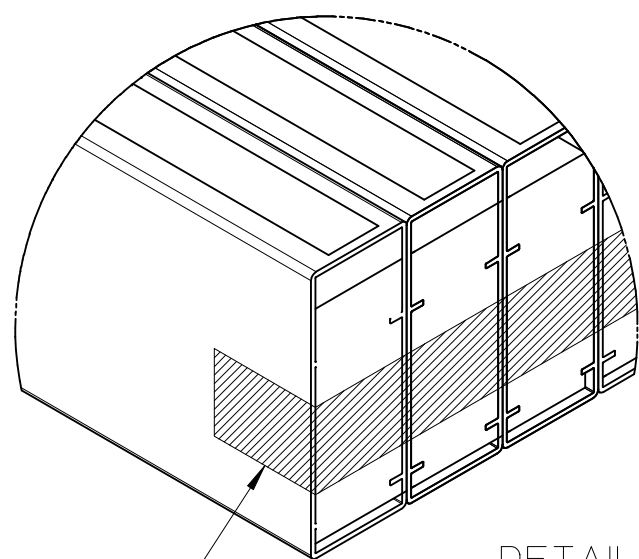
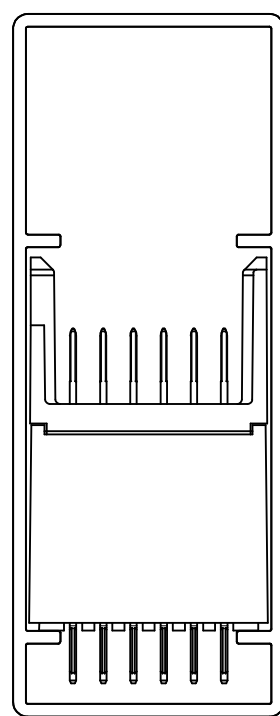
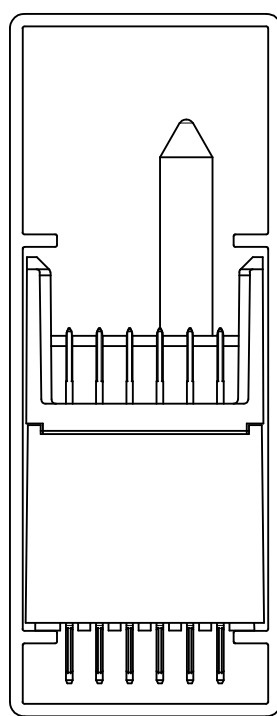
深圳创唯电子有限公司 [http://www.molex-
connect.com](http://www.molex-connect.com)



PART ORIENTATION

POLAR/GUIDE OPTION

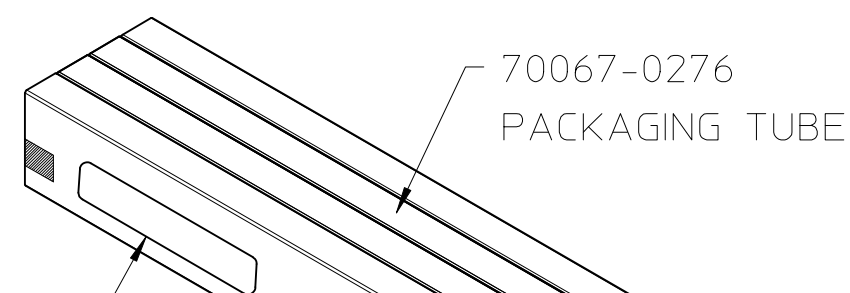
OPEN END OPTION



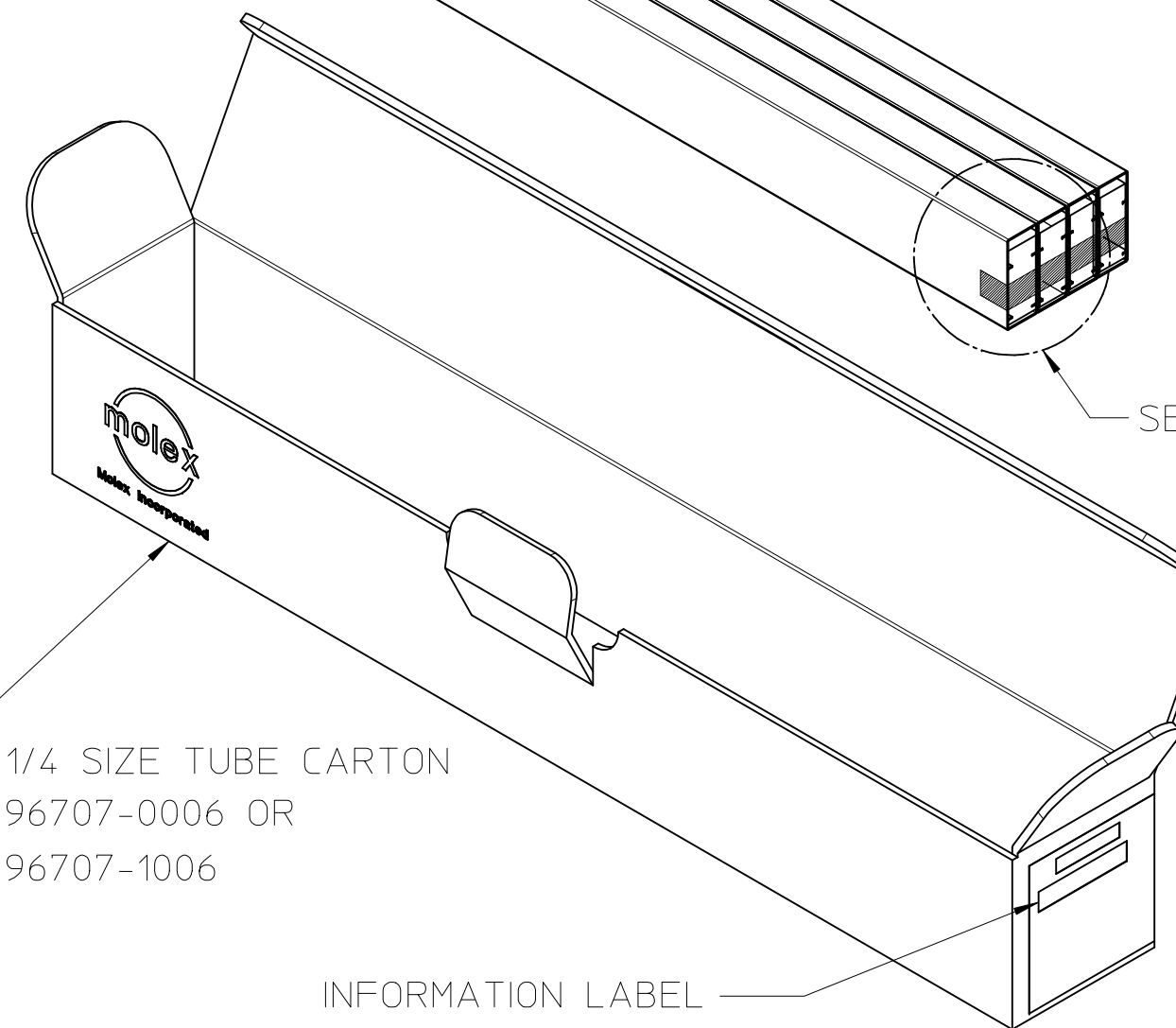
DETAIL Z
SCALE 1:1

96717-0002
TUBE CLOSURE
SEE NOTE 6

LABEL 73728-0000
SEE NOTE 9



70067-0276
PACKAGING TUBE



1/4 SIZE TUBE CARTON
96707-0006 OR
96707-1006

INFORMATION LABEL
SEE NOTE 10

NOTES:

1. STAPLES MUST BE USED TO SET UP STANDARD CARTON ONLY. CARTON CLOSURES MUST BE DONE WITH TAPE.
2. PARTS SHOULD BE PACKAGED PER QUANTITIES SPECIFIED.
3. PARTS TO BE LOADED INTO 70067-0267 TUBES AS SHOWN IN PART ORIENTATION DETAIL.
4. AFTER FILLING TUBES WITH PARTS, THEN PLACE 70892-0094 SPACERS, AND THEN 70892-0063 FOAM PLUGS. SPACERS AND FOAM PLUGS MUST BE INSERTED INTO BOTH ENDS. ASSEMBLED TUBE LENGTHS MUST NOT EXCEED 562 MILLIMETERS.
5. TUBES MUST BE LOADED INTO 1/4 SIZE TUBE CARTON AS SHOWN.
6. TUBE ENDS TO BE CLOSED USING 96717-0002 LABEL. ONE AT EACH END.
7. SEE SHEET 2 FOR PART NUMBER CHART.
8. 4 TOTAL TUBES PER CARTON.
9. MARK CUSTOM LABEL 73728-0000 WITH PART NUMBER & DATE CODE. PLACE ONE LABEL PER TUBE, ON THE OPPOSITE SIDE OF LASER MARK, APPROXIMATELY WHERE SHOWN.
10. INFORMATION LABEL TO BE WRAPPED AROUND THE END OF CARTON SUCH THAT PART NUMBER AND BAR CODE ARE VISIBLE AND CENTERED ON THE END PANEL.

MOVED TUBE LABEL EC NO: UCP2013-4159 DRWN:RWHIPPLE 2013/03/28 CHKD:MWOLFE 2013/03/28 APPR:SMILLER 2013/05/23	REV DESCRIPTION N	QUALITY SYMBOLS	GENERAL TOLERANCES (UNLESS SPECIFIED)		DIMENSION STYLE MM ONLY		SCALE	DESIGN UNITS METRIC	THIRD ANGLE PROJECTION	
		$\nabla = 0$ $\nabla = 0$ $\nabla = 0$	mm	INCH	DRAWN BY JB INGHAM	DATE 1998/02/06	TITLE	PACKAGE SPECIFICATIONS HDM BACKPLANE STACKING MODULES, 15 MM STACK HGT molex	DOCUMENT NO. PK-70873-0870	SHEET NO. 1 OF 2
		4 PLACES	± ---	± ---	CHECKED BY SREED	DATE 1998/02/06				
		3 PLACES	± ---	± ---	APPROVED BY CBIXLER	DATE 1998/02/06				
2 PLACES	± ---	± ---	MATERIAL NO. 70873-0870							
1 PLACE	± ---	± ---	DRAFT WHERE APPLICABLE MUST REMAIN WITHIN DIMENSIONS		THIS DRAWING CONTAINS INFORMATION THAT IS PROPRIETARY TO MOLEX INCORPORATED AND SHOULD NOT BE USED WITHOUT WRITTEN PERMISSION					
0 PLACE	± ---	± ---								

PART NUMBER	STYLE	NO. POSITIONS	PARTS/TUBE	PARTS/CARTON
73769-010*	OPEN END OPTION	72	21	84
73769-110*	OPEN END OPTION	144	10	40
73771-01**	POLAR/GUIDE OPTION	72	16	64
73771-11**	POLAR/GUIDE OPTION	144	9	36
73781-010*	OPEN END OPTION	72	21	84
73781-110*	OPEN END OPTION	144	10	40
73781-210*	OPEN END OPTION	72	21	84
73781-310*	OPEN END OPTION	144	10	40
73781-410*	OPEN END OPTION	72	21	84
73781-510*	OPEN END OPTION	144	10	40
73781-610*	OPEN END OPTION	72	21	84
73781-710*	OPEN END OPTION	144	10	40
73783-01**	POLAR/GUIDE OPTION	72	16	64
73783-11**	POLAR/GUIDE OPTION	144	9	36
73783-21**	POLAR/GUIDE OPTION	72	16	64
73783-31**	POLAR/GUIDE OPTION	144	9	36
73783-41**	POLAR/GUIDE OPTION	72	16	64
73783-51**	POLAR/GUIDE OPTION	144	9	36
73783-61**	POLAR/GUIDE OPTION	72	16	64
73783-71**	POLAR/GUIDE OPTION	144	9	36
73650-0229	POLAR/GUIDE OPTION	144	9	36

NOTE: SPQ (STANDARD PACK QUANTITY) AND MOQ (MINIMUM ORDER QUANTITY)
 EQUAL ONE (1) 1/4 SIZE TUBE CARTON

SEE SHEET 1 EC NO: UCP2013-4159 DRWN:RWHIPPLE 2013/03/28 CHKD:MMOLFE 2013/03/28 APPR:SMILLER 2013/05/23	REV DESCRIPTION	QUALITY SYMBOLS 	GENERAL TOLERANCES (UNLESS SPECIFIED) <table border="1"> <tr><th></th><th>mm</th><th>INCH</th></tr> <tr><td>4 PLACES</td><td>± .004</td><td>± .000156</td></tr> <tr><td>3 PLACES</td><td>± .005</td><td>± .000197</td></tr> <tr><td>2 PLACES</td><td>± .007</td><td>± .000276</td></tr> <tr><td>1 PLACE</td><td>± .010</td><td>± .000394</td></tr> <tr><td>0 PLACE</td><td>± .015</td><td>± .000591</td></tr> </table>		mm	INCH	4 PLACES	± .004	± .000156	3 PLACES	± .005	± .000197	2 PLACES	± .007	± .000276	1 PLACE	± .010	± .000394	0 PLACE	± .015	± .000591	DIMENSION STYLE MM ONLY	SCALE DESIGN UNITS METRIC	THIRD ANGLE PROJECTION
			mm	INCH																				
		4 PLACES	± .004	± .000156																				
		3 PLACES	± .005	± .000197																				
		2 PLACES	± .007	± .000276																				
1 PLACE	± .010	± .000394																						
0 PLACE	± .015	± .000591																						
DRAWN BY JBINGHAM	DATE 1998/02/06	TITLE PACKAGING SPECIFICATIONS HDM BACKPLANE STACKING MODULES, 15 MM STACK HGT																						
CHECKED BY SREED	DATE 1998/02/06																							
APPROVED BY CBIXLER	DATE 1998/02/06	MATERIAL NO. 70873-0870		DOCUMENT NO. PK-70873-0870	SHEET NO. 2 OF 2																			
DRAFT WHERE APPLICABLE MUST REMAIN WITHIN DIMENSIONS		SIZE C	THIS DRAWING CONTAINS INFORMATION THAT IS PROPRIETARY TO MOLEX INCORPORATED AND SHOULD NOT BE USED WITHOUT WRITTEN PERMISSION																					