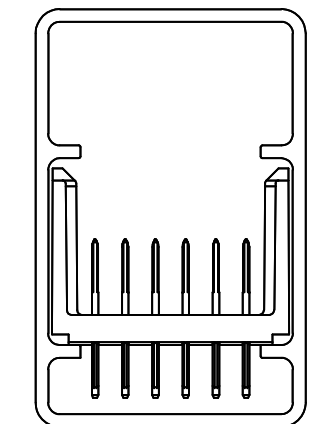
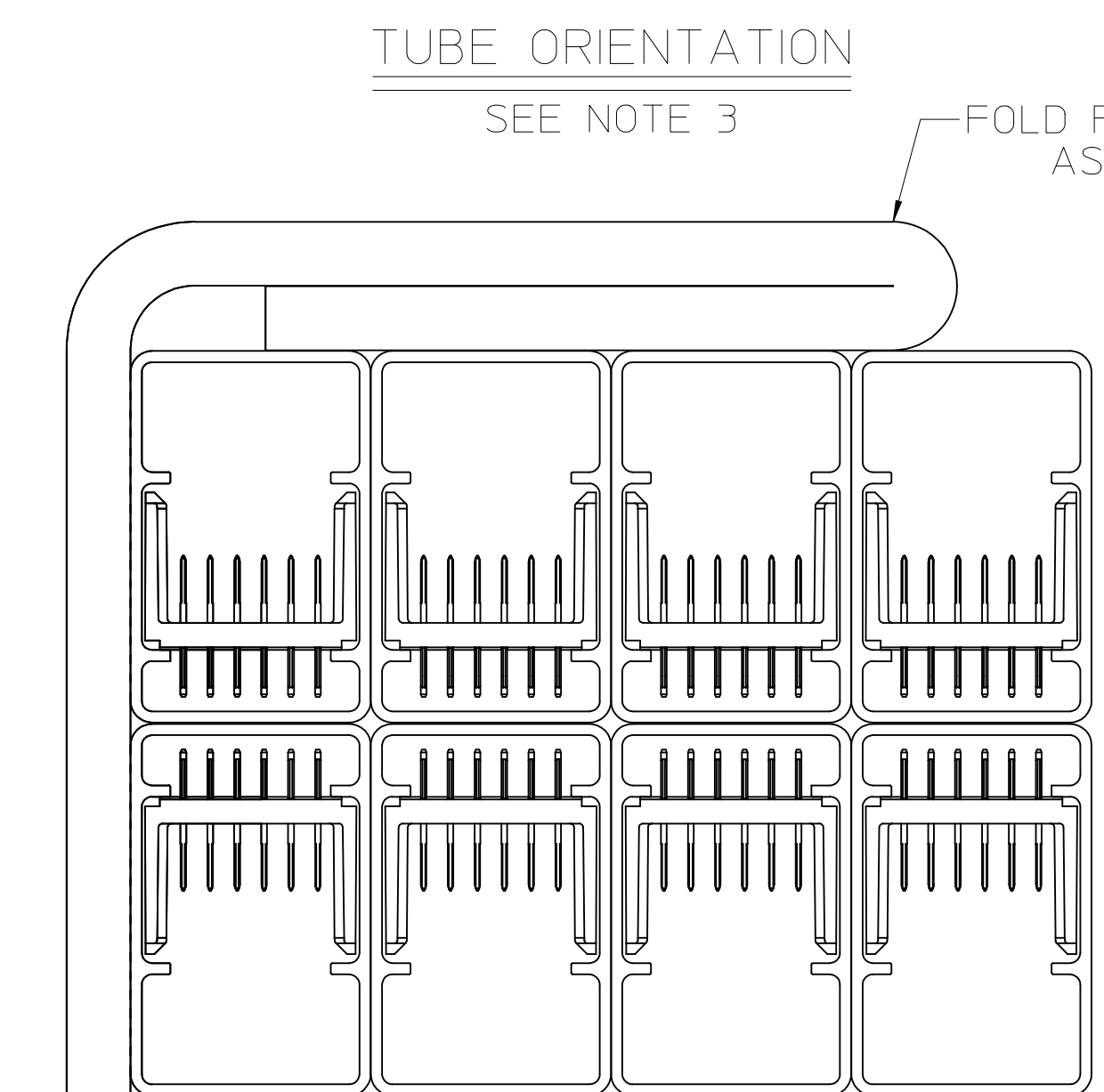
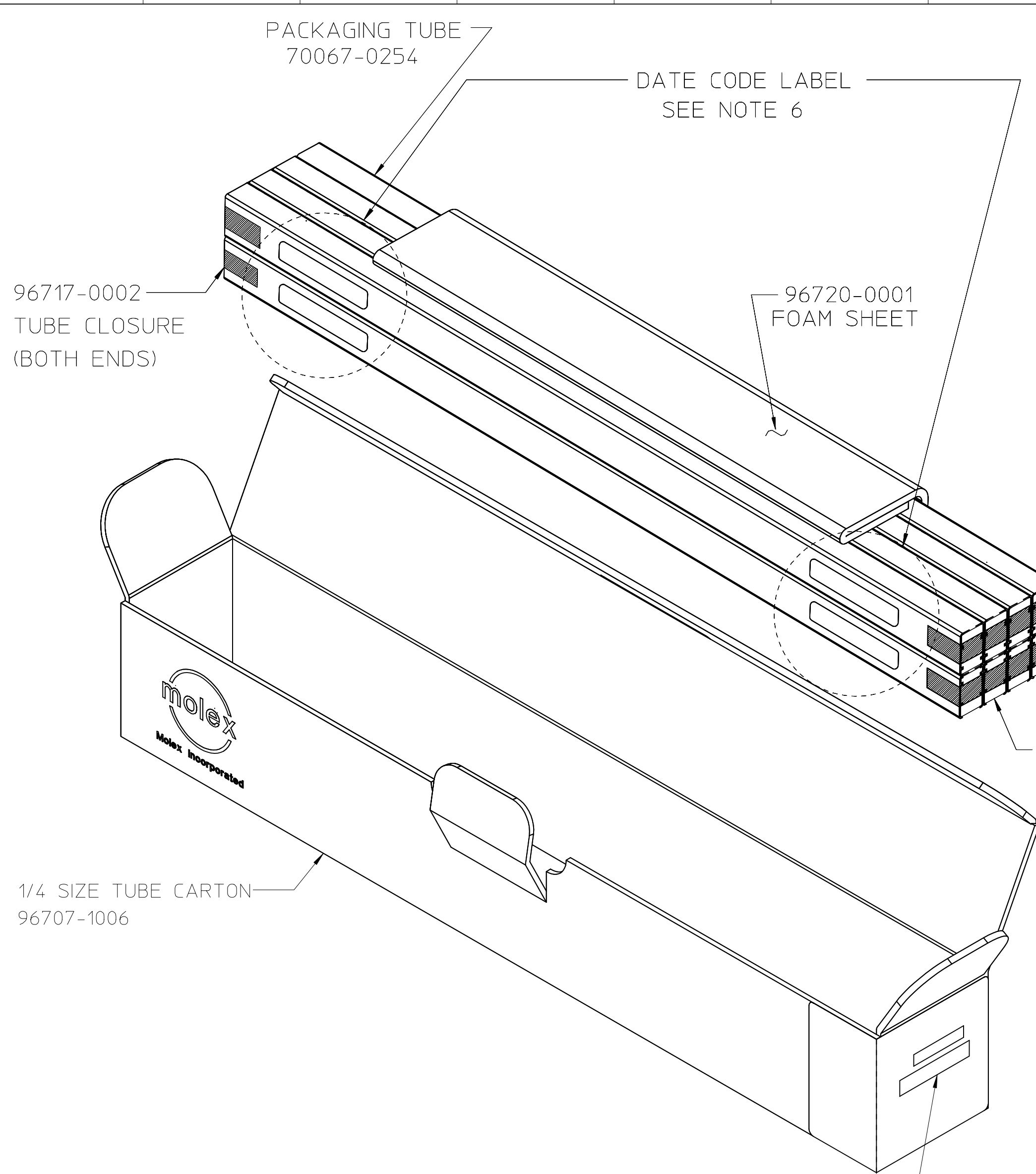


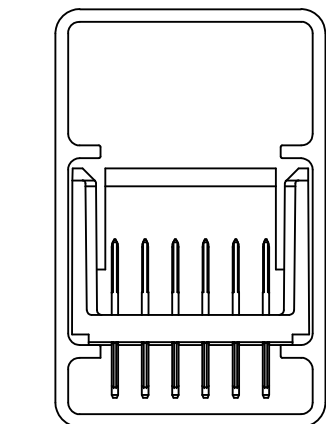
Molex 73943-7200 PDF

molex[®]

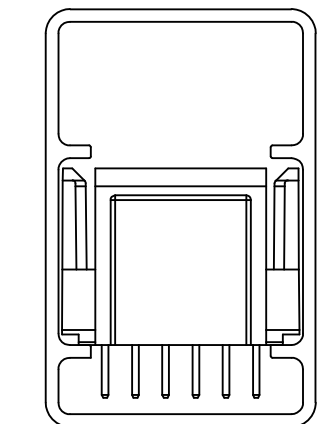
深圳创唯电子有限公司 [http://www.molex-
connect.com](http://www.molex-connect.com)



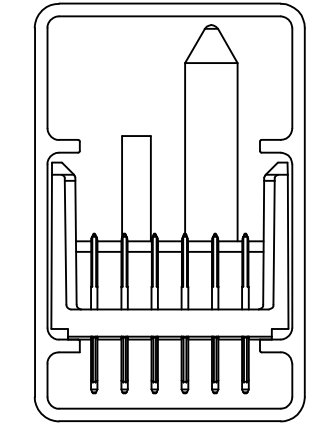
OPEN END OPTION



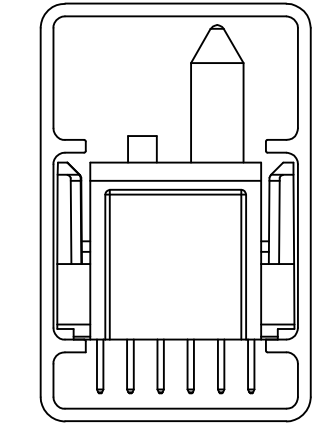
END WALL OPTION



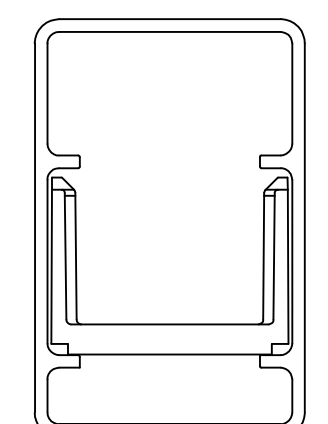
DOUBLE END WALL OPTION



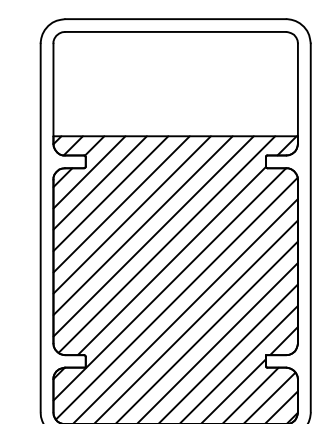
POLAR/GUIDE OPTION



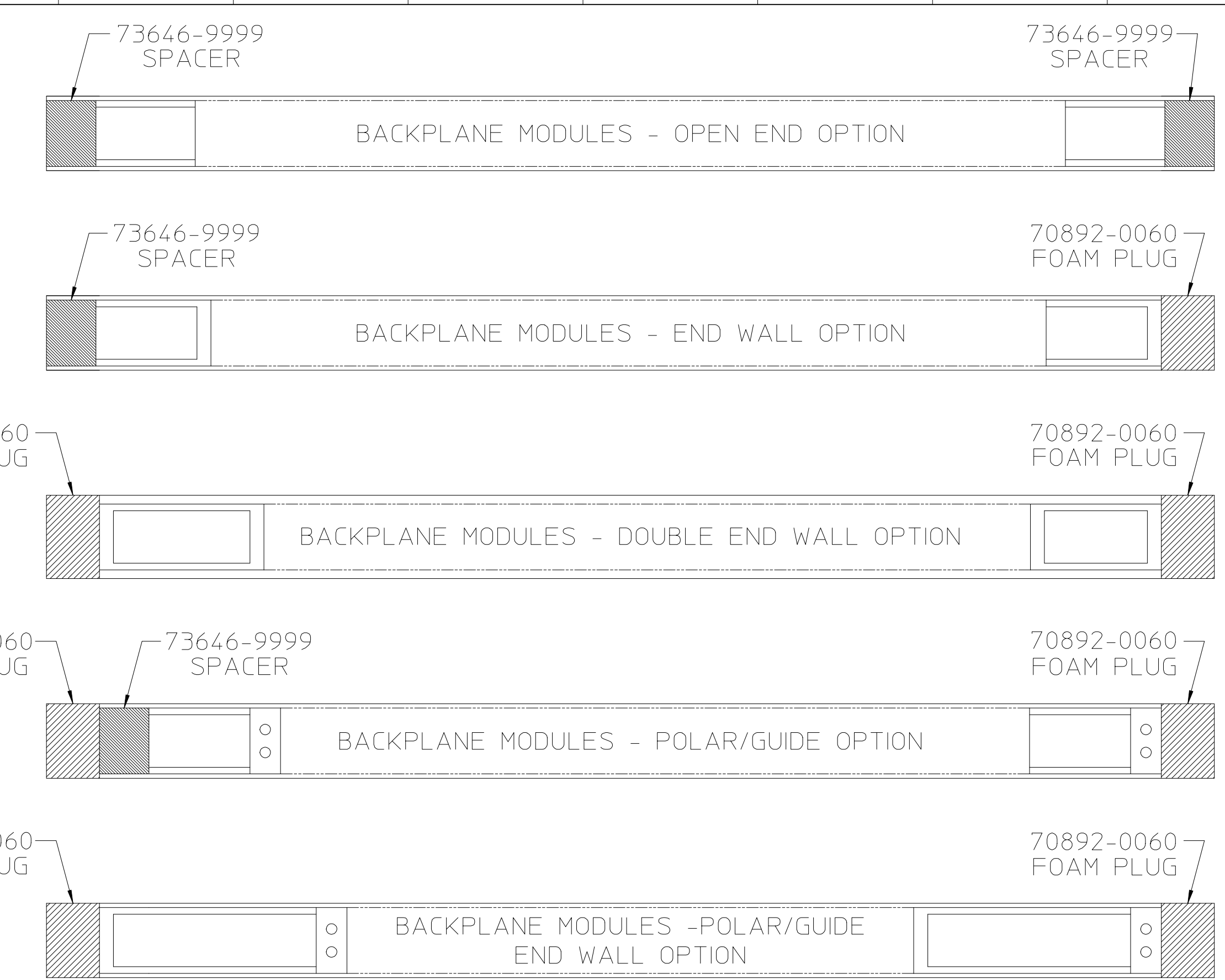
POLAR/GUIDE END WALL OPTION



SPACER ORIENTATION



FOAM PLUG ORIENTATION



FOAM & SPACER PLACEMENT IN TUBE
 PLACE 70892-0060 FOAM PLUG AND 73646-9999 SPACER AT ENDS OF TUBE AS SHOWN
 SEE NOTE 4

- NOTES:
- CARTON CLOSURES MUST BE DONE WITH TAPE.
 - PARTS SHOULD BE PACKAGED PER QUANTITIES SPECIFIED IN CHART.
 - PARTS TO BE LOADED INTO 70067-0254 PACKAGING TUBE AS SHOWN. TUBES TO BE ORIENTED AS SHOWN WITH TOP FOUR TUBES IN ONE DIRECTION AND BOTTOM FOUR TUBES IN OPPOSITE DIRECTION.
 - AFTER FILLING TUBES, 73646-9999 SPACER AND 70892-0060 FOAM PLUG MUST BE INSERTED INTO ENDS OF TUBE AS SHOWN. TUBE ENDS TO BE CLOSED USING 96717-0002 LABEL. ONE PER END.
 - INFORMATION LABEL TO BE WRAPPED AROUND END OF CARTON SUCH THAT PART NUMBER AND BAR CODE ARE COMPLETELY VISIBLE ON END PANEL.
 - MARK CUSTOM LABEL 73728-0000 WITH PART NUMBER & DATE CODE. PLACE ONE LABEL PER TUBE, TO BE PLACED APPROXIMATELY WHERE SHOWN, SUCH THAT, THE LASER MARKS ON THE PARTS ARE NOT COVERED.
 - SPQ (STANDARD PACK QUANTITY) AND MOQ (MINIMUM ORDER QUANTITY) EQUAL ONE (1) 1/4-SIZE TUBE CARTON UNLESS OTHERWISE SPECIFIED IN SAP.
 - CARTON SHOULD ALWAYS BE PACKED WITH EIGHT (8) PACKAGING TUBES AS SHOWN. IF NECESSARY, USE EMPTY TUBES TO SATISFY THIS REQUIREMENT.

POLAR/GUIDE END WALL	144	9	72	0	2
	72	15	120	0	2
POLAR/GUIDE	144	9	72	1	2
	72	16	128	1	2
DOUBLE END WALL	144	9	72	0	2
	72	16	128	0	2
END WALL	144	10	80	1	1
	72	19	152	1	1
OPEN END	144	11	88	2	0
	72	22	176	2	0

BACKPLANE MODULE OPTION	CIRCUIT SIZE	TUBE	1/4-SIZE CARTON	QUANTITY OF SPACERS	QUANTITY OF FOAM PLUGS
		QUANTITY PER			
MOVED TUBE LABEL EC NO: UCP2013-4159 DRW:RWHIPPLE 2013/03/28 CHKD:WOLFE 2013/03/29 APPR:SMILLER 2013/05/03 CH	QUALITY SYMBOLS ▽=0 ▽=0 ▽=0	GENERAL TOLERANCES (UNLESS SPECIFIED)		DIMENSION STYLE	
		mm		MM ONLY	
		INCH		SCALE 1:2	
		ANGULAR ±1/2°		DESIGN UNITS METRIC	
DRAFT WHERE APPLICABLE MUST REMAIN WITHIN DIMENSIONS		THIRD ANGLE PROJECTION		TITLE	
SEE TABLE		DRAWN BY JB INGHAM		DATE 1997/02/13	
SEE TABLE		CHECKED BY SREED		DATE 1997/02/13	
SEE TABLE		APPROVED BY CB IXLER		DATE 1997/02/13	
SEE TABLE		MATERIAL NO.		DOCUMENT NO.	
SEE TABLE		PK-70873-0818		SHEET NO. 1 OF 1	

molex

THIS DRAWING CONTAINS INFORMATION THAT IS PROPRIETARY TO MOLEX INCORPORATED AND SHOULD NOT BE USED WITHOUT WRITTEN PERMISSION